



LED SOLAR LIGHT CATALOG

2021

IEBSA TECHNOLOGY NINGBO CO.,LTD



Overview

IEBSA Group was founded in 2013, is the national high-tech enterprises and a joint venture in Taiwan, America, Mexico and China, Located in Ningbo. IEBSA is a factory for Industrial & Public Lighting, providing services on designing, has been focused on PLEP chips and PCI heat sink technology, set up a PLEP Chip On Copper Board tech oriented R&D center, has a R&D team led by experts in the field of heat transfer technology.

All the products are UL/CUL/IEC/CE/CB/RoHs/LM-80 certified

Partenrs



INVENTRONICS

PHILIPS

OSRAM



CREE

LUMILEDS

SAMSUNG

merrytek

HAISEN

RUILEON
ELECTRONICS



Smart City IOT Solar Street Light System

Project Example

**Located in Rd Huancheng XiAn
City.**



Located in Turkey.

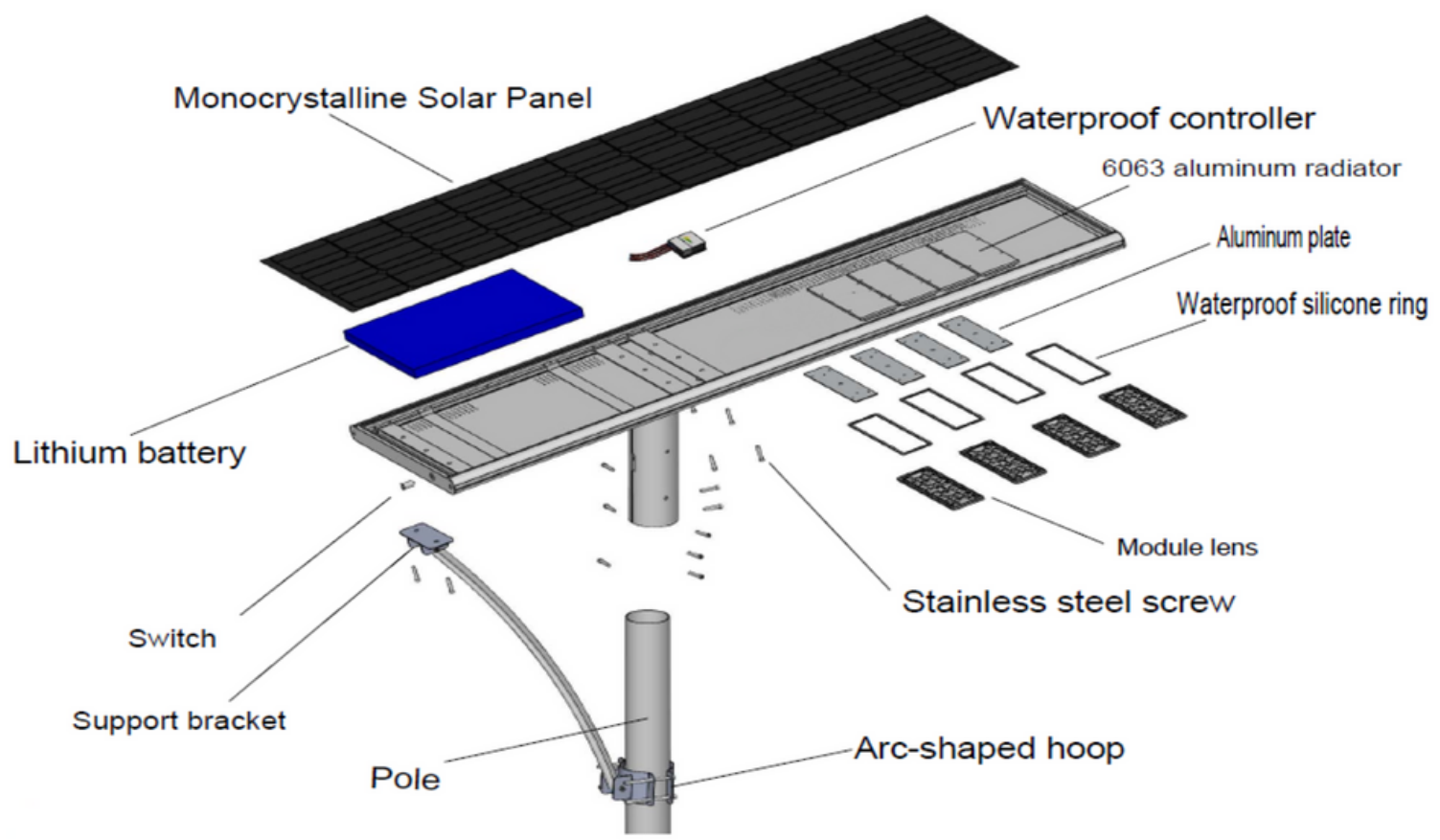


Motion Sensor

All In One Series has a built in motion detection security feature that automatically regulates the led light output from full brightness to a lower depending upon the detection of movement around the light



Internal Structure



2 In One

BSA
bright side asia



2 In One



- Easy and faster installation
- **Lower Operation Cost**
- **Motion & sensor detection**
- **Energy saving**
- CE,RoHs,IEC,LM-80 TM-21 certificates

Technical Parameter

Model	Light Efficiency	Lumines Power	Mounting Height	Charge Time	Function	Solar Panel (High Efficiency Monocrystalline Silicon)	Battery	Material
BSA-SS-DCT0030-301	4100LM	30W	4-6m	8Hours	Motion Sensor &Auto-Turn On/Off	50W 18V	24AH 11.1V	Aluminum
BSA-SS-DCT0040-301	5100LM	40W	5-7m			65W 18V	28AH 11.1V	
BSA-SS-DCT0050-301	6800LM	50W	6-8m			80W 18V	36AH 11.1V	
BSA-SS-DCT0060-301	8500LM	60W	7-9m			100W 18V	42AH 11.1V	
BSA-SS-DCT0080-301	10200LM	80W	8-10m			130W 18V	50AH 11.1V	
BSA-SS-DCT0100-301	13000LM	100W	9-12m			160W 18V	63AH 11.1V	

170Lm/W

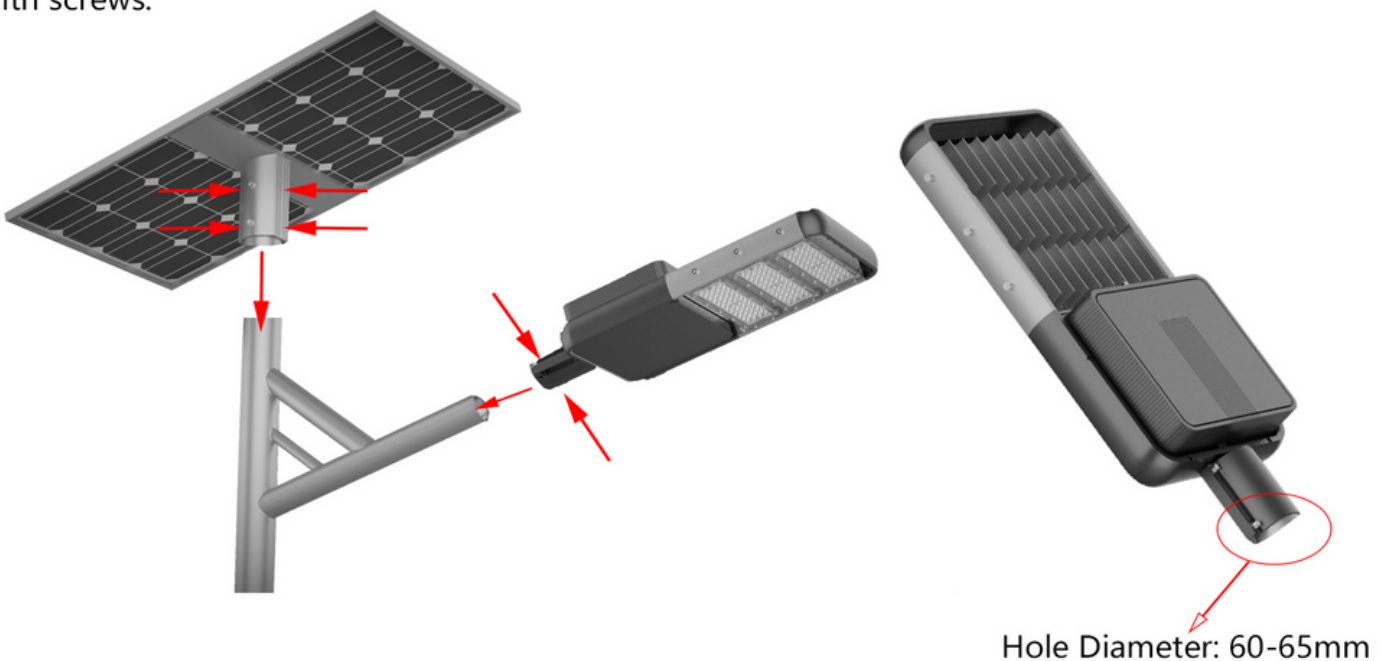
Support Remote Control

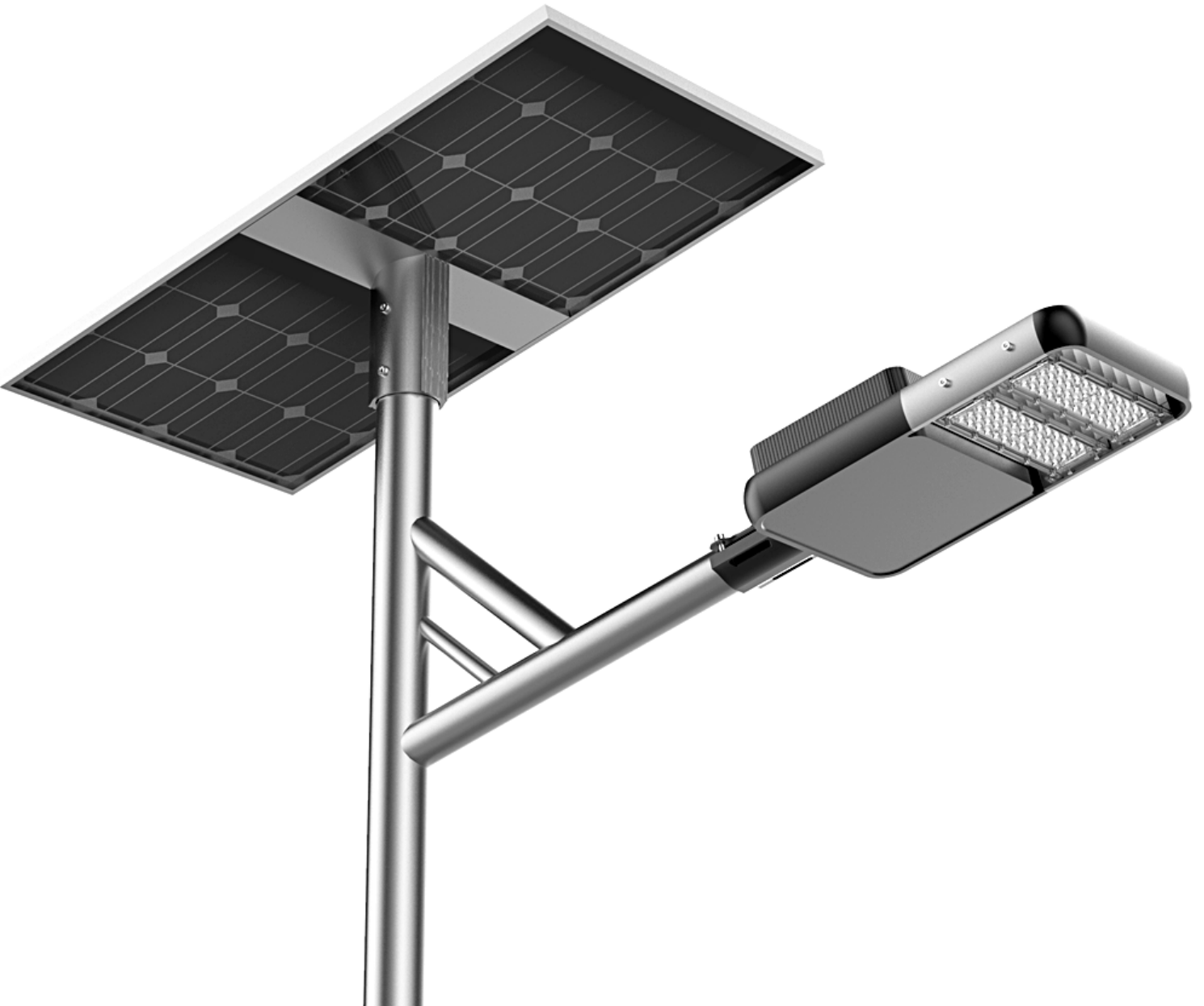
Brightness + / - can be adjusted by yourself.
Lighting dusk to down
5-7 Cloudy / Rainy Days Back Up



Easy Installation

Just fix the solar panel and lamp head with screws.





Technical Parameter

Model	Light Efficiency	Lumines Power	Mounting Height	Charge Time	Function	Solar Panel (High Efficiency Monocrystalline Silicon)	Battery	Material
BSA-SS-DCT0030-201	5100LM	30W	4-6m	8Hours	Motion Sensor &Auto-Turn On/Off	40W 18V	18AH 12.8V	Aluminum
BSA-SS-DCT0040-201	6800LM	40W	5-7m			50W 18V	24AH 12.8V	
BSA-SS-DCT0050-201	8500LM	50W	6-8m			65W 18V	30AH 12.8V	
BSA-SS-DCT0060-201	10200LM	60W	7-9m			80W 18V	36AH 12.8V	
BSA-SS-DCT0080-201	13600LM	80W	8-10m			100W 18V	42AH 12.8V	
BSA-SS-DCT0100-201	17000LM	100W	9-12m			130W 18V	54AH 12.8V	
BSA-SS-DCT0120-201	20520LM	120W				170W 18V	60AH 12.8V	

All In One



Benefits



- **Pole connector Adjustable**
- Easy and faster installation
- **Lower Operation Cost**
- Save cost for maintenance
- **Motion & sensor detection**
- No attract Insect Swarms
- **Energy saving**
- CE,RoHs,IEC,LM-80 certificates



Technical Parameter

Model	Light Efficiency	Lumines Power	Mounting Height	Charge Time	Function	Solar Panel (High Efficiency Monocrystalline Silicon)	Battery	Material
BSA-SS-DCT0030-101	4200LM	30W	4-6m	8Hours	Motion Sensor &Auto-Turn On/Off	40W 18V	17.6AH 12.6V	Aluminum
BSA-SS-DCT0040-101	5600LM	40W	5-7m			50W 18V	17.6AH 12.6V	
BSA-SS-DCT0050-101	7000LM	50W	6-8m			70W 18V	26.4AH 12.6V	
BSA-SS-DCT0060-101	8500LM	60W	7-9m			80W 18V	42AH 12.6V	
BSA-SS-DCT0080-101	11200LM	80W	8-10m			100W 18V	50AH 12.6V	
BSA-SS-DCT0100-101	14000LM	100W	9-12m			130W 18V	60AH 12.6V	